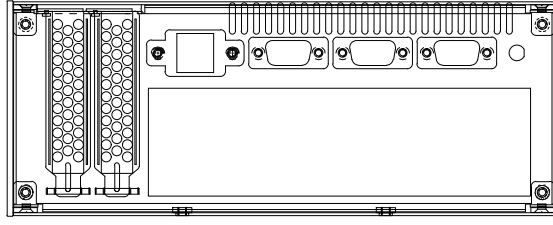
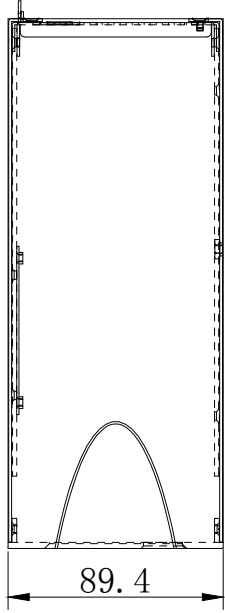


Autodesk

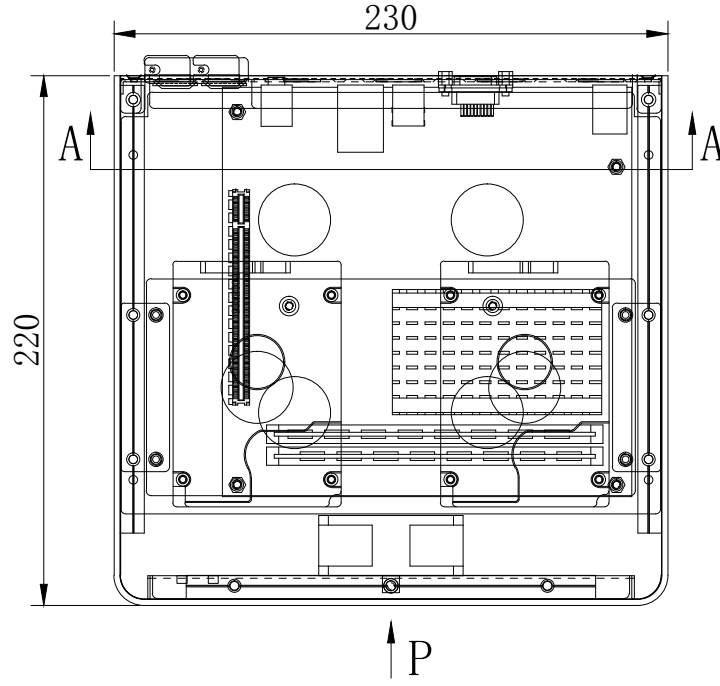


A-A

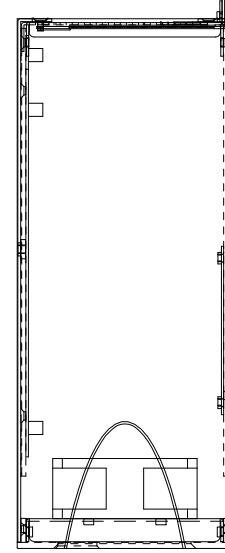
Autodesk



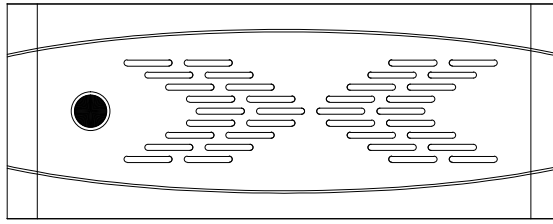
89.4



P



Autodesk



面板

Autodesk